

SIP Presence

*

0

{eun, shpack, scace, sjha, yhchoi}@mmlab.snu.ac.kr

Development of SIP Based Presence System and Location Based Mobile Services

Eun Kyoung Paik Sangheon Pack Wondong Yun Seokjae Ha Yanghee Choi
School of Computer Science and Engineering, Seoul National University

Presence
Presence
가 Presence
SIP(Session Initiation Protocol) Presence
VoIP(Voice over IP)
SIP 가
(identifier)
SIP Presence
가 Presence
가
가 ..

1.

(Voice over IP)
Presence
(Packet network)
VoIP
SIP(Session
Initiation Protocol)
[Handley99]
[Schulzrinne00]. SIP H.323
[Nortel00].
2
3
SIP Presence
Presence
4 Presence
가 [Leroy01].
PC,
가

2. SIP Presence

SIP Presence
VoIP
2.1 SIP
SIP VoIP (signaling)
2000 21 가

SIP (call)

(User-Agent Client, UAC)
(User-Agent Server, UAS)

(Proxy) (redirect) SIP

UAC: (caller)
UAS: (callee)

(accept),
(refuse).

: SIP / (forward)
(layer)

: (request) SIP UA(User Agent)
Registrar: (Track).

1 SIP

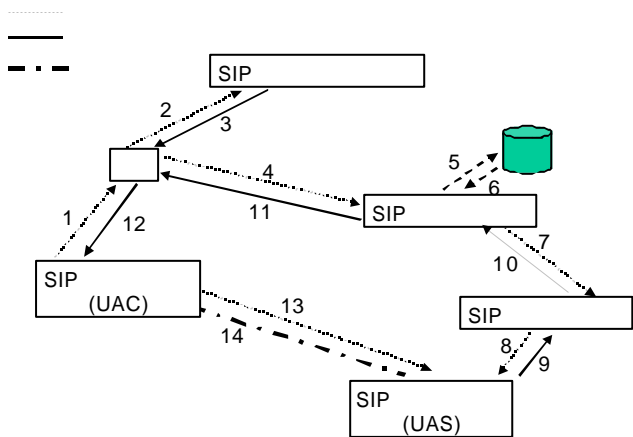
1 , SIP

SIP

가

(,),
().

(replication) , (partition)



1. SIP

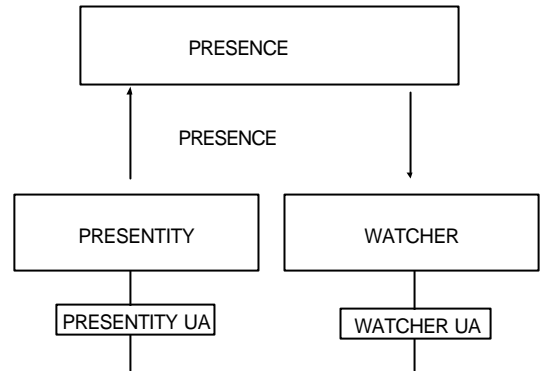
2.2 Presence Presence

가
IETF IMPP WG
[Day00a]

[Day00b]

informational RFC가 Presence /

가
2 Presence (watcher)가 (presentity) 2 가
(presentity) Presence 가



2. Presence

3. SIP

Presence

Presence SIP

3.1 SIP

Presence

VoIP

Presence SIP

1 VoIP

3 Presence

SIP

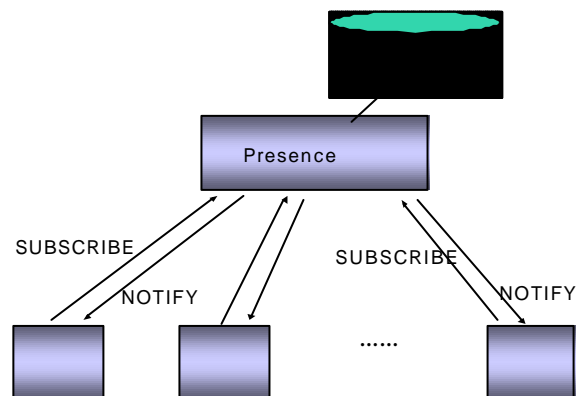
가

SIP

presence

SIP

Presence SIP



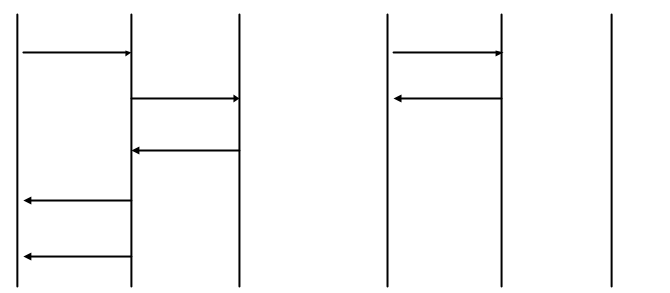
3. SIP

Presence

Presence SIP
 가 가 . , 가 , 가
 SUBSCRIBE : (subscriber)가
 (presentity) 가

NOTIFY : Presence SUBSCRIBE
 (subscriber) (presentity)

GET_LIST : SUBSCRIBE
 가



3.2 Presence

(format) 4 Presence 4
 presence (tuple) communication address
 Presence
 . status

(Subs-Criber) (Pre-sentity) (Subs-Criber) (Pre-sentity)
 (a) 가 (b) 가

5. Presence

4. SIP Presence PC, , FAX

Presence information

- Presence tuple
 - Status
 - Communication address(optional)
 - Contact means
 - Contact address
 - Other markup (optional)
- Presence tuple
 - Status
 - Communication address(optional)
 - Other markup (optional)
- Presence tuple
- ...

4. Presence

3.3 Presence

Presence 가
 (presentity) ,
 Presence

가 Presence

Presence

(5).

[Leroy01] L.Bos and S.Leroy, "Toward an All-IP-Based UMTS System Architecture", IEEE Network, Jan./Feb. 2001.
 [Nortel00] Nortel Networks, "A Comparison of H.323v4 and SIP", 3GPP cont., Jan.2000.
 [Handley99] M. Handley et al., "SIP : Session Initiation Protocol," RFC 2543, Mar.1999.
 [Schulzrinne00] H.Schulzrinne et al., "The Session Initiation Protocol : Internet-Centric Signaling," IEEE Comm., Oct. 2000.
 [Day00a] M. Day, J. Rosenberg and H. Sugano, "A Model for Presence and Instant Messaging," IETF RFC 2778, Feb. 2000.
 [Day00b] M. Day et. al "Instant Messaging/ Presence Protocol Requirements," IETF RFC 2779, Feb. 2000.